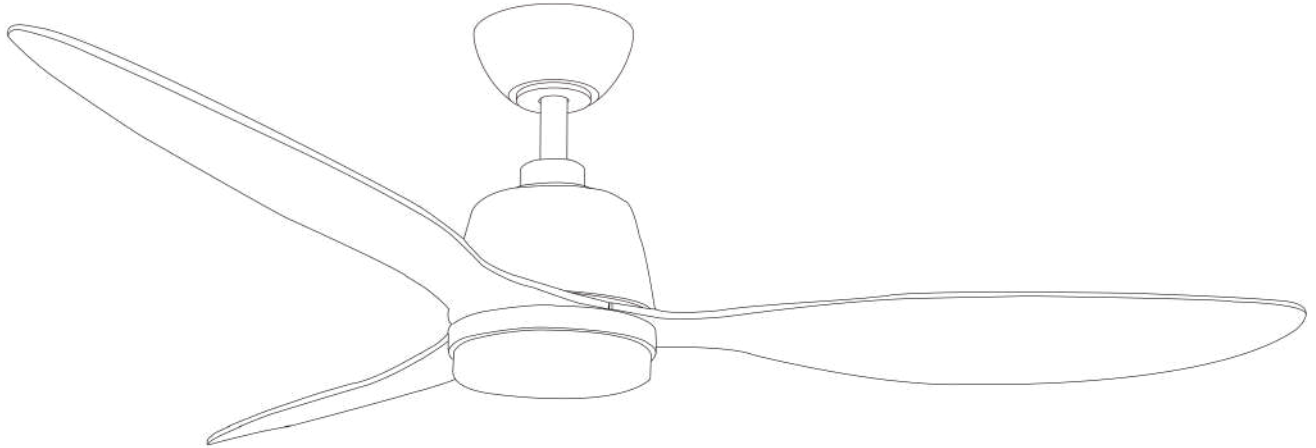


Coastal **BREEZE**

The ultimate SMART fan for coastal areas



USE & CARE GUIDE

1320mm ABS (plastic) Blades

Exclusive Features:

Power Outage Recovery: Fan turns on automatically, while the light stays off.

LED Light Memory: Choose and save your preferred light color.

Multi-Fan Pairing: Control up to 10 fans with a single remote transmitter.

Smart App Control: Operate the fan conveniently from your mobile device.



A breath of fresh air

www.solent.co.za

Table of Contents

Table of Contents-----	2	Safety Information-----	2	Warranty-----	3	Pre-Installation-----	3	Installation-----	5	Assembly-----	6	Use of remote control-----	10	Operation-----	10	App pairing-----	11	Fans Balance-----	15	Care and cleaning-----	15	Troubleshooting-----	16
------------------------	---	-------------------------	---	---------------	---	-----------------------	---	-------------------	---	---------------	---	----------------------------	----	----------------	----	------------------	----	-------------------	----	------------------------	----	----------------------	----

Safety Information

READ AND SAVE THESE INSTRUCTIONS

1. To reduce the risk of electric shock, ensure the electricity has been turned off at the circuit breaker or fuse box before you begin.
2. All wiring must be in accordance with the National Electrical Code ANSI/NFPA 70-1999 and local electrical codes. Electrical installation should be performed by a qualified licensed electrician.
3. The outlet box and support structure must be securely mounted and capable of reliably supporting 35 lbs (15.9 kg). Use only UL Listed outlet boxes marked "Acceptable for Fan Support of 35 lbs (15.9 kg) or less."
4. CAUTION: The fan must be mounted with a minimum of 7 ft. (2.3 m) clearance from the trailing edge of the blades to the floor.
5. Do not operate the reversing switch while the fan blades are in motion. You must turn the fan off and stop the blades before you reverse the blade direction.
6. Do not place objects in the path of the blades. 7. To avoid personal injury or damage to the fan and other items, use caution when working around or cleaning the fan.
8. Electrical diagrams are for reference only. Light kits that are not packed with the fan must be UL-listed and marked suitable for use with the model fan you are installing. Switches must be UL General Use Switches. Refer to the instructions packaged with the light kits and switches for proper assembly.
9. After making electrical connections, spliced conductors should be turned upward and pushed carefully up into the outlet box. The wires should be spread apart with the grounded conductor and the equipment-grounding conductor on one side of the outlet box.
10. All setscrews must be checked and retightened where necessary before installation.



WARNING: To reduce the risk of personal injury, do not bend the blade brackets (also referred to as flanges) during assembly or after installation. Do not insert objects in the path of the blades.



WARNING: To reduce the risk of fire or electric shock, this fan must be installed with an isolating wall switch.



WARNING: To avoid possible electrical shock, turn the electricity off at the main fuse box before wiring. If you feel you do not have enough electrical wiring knowledge or experience, contact a licensed electrician.



WARNING: Electrical diagrams are for reference only. Optional use of any light kit shall be UL-listed and marked suitable for use with this fan.



WARNING: To reduce the risk of fire, electric shock, or personal injury, mount to outlet box marked "Acceptable for fan support of 35 lbs.(15.9 kg) or less," and use the screws provided with the outlet box.



WARNING: To reduce the risk of fire or electric shock, this fan should only be used with fan speed control part no.



CAUTION: To reduce the risk of personal injury, use only the screws provided with the outlet box.

Warranty

Solent Trading extends the following limited warranty to the user/purchaser of this product:

1. Fan Motor Warranty: In the event of a motor failure within three years from the date of purchase due to a defect in material or workmanship, Solent provides complimentary labor for repair or replacement. Purchasers are responsible for any costs incurred after the initial three-year period.

2. Fan Accessories Warranty: The three-year warranty covers fan accessories, including remote controls, wall controllers, light fittings and glass light shades. Lamps are not covered.

3. Exclusions from Warranty: This warranty does not extend to any changes in painted finishes resulting from climate conditions or direct exposure to water, moisture, or corrosive conditions. Proceeding with outdoor use is done at your own risk and will void the warranty.

4. Warranty Void Conditions: This warranty becomes void and is inapplicable in cases of damage resulting from improper installation, neglect, accident, misuse, or lack of a serial number, or as a result of any modification. Additionally, the use of fan accessories such as remote controls, wall regulators or light fittings that are not Solent approved and branded will also void the warranty.

5. Exclusive Remedy: Please note that any repair or replacement provided by Solent Trading cc constitutes the exclusive remedy available. No other expressed or implied warranties exist. Solent Trading cc expressly disclaims all implied warranties, including those of merchantability and fitness for a particular purpose, to the extent permitted by law. Solent Trading cc shall not be liable for incidental, consequential, or damages arising from or in connection with product use or performance, except as may be otherwise provided by law. This warranty grants you specific rights.

6. General Fan Operation: Please be aware that a degree of wobble and noise is typical and should not be viewed as a problem or defect.

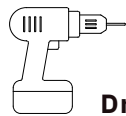
7. Reporting a Faulty Fan: Any defective motors or parts must be reported in writing to Solent Trading cc by completing the Faulty Fan Report in full. Please visit https://www.solent.co.za/report_faulty_fan to submit your Faulty Fan Report.

Pre-Installation

TOOLS REQUIRED



Phillips screwdriver



Drill



Adjustable wrench

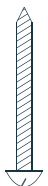


Electrical tape



Step ladder

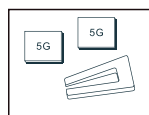
HARDWARE INCLUDED



AA



BB



CC

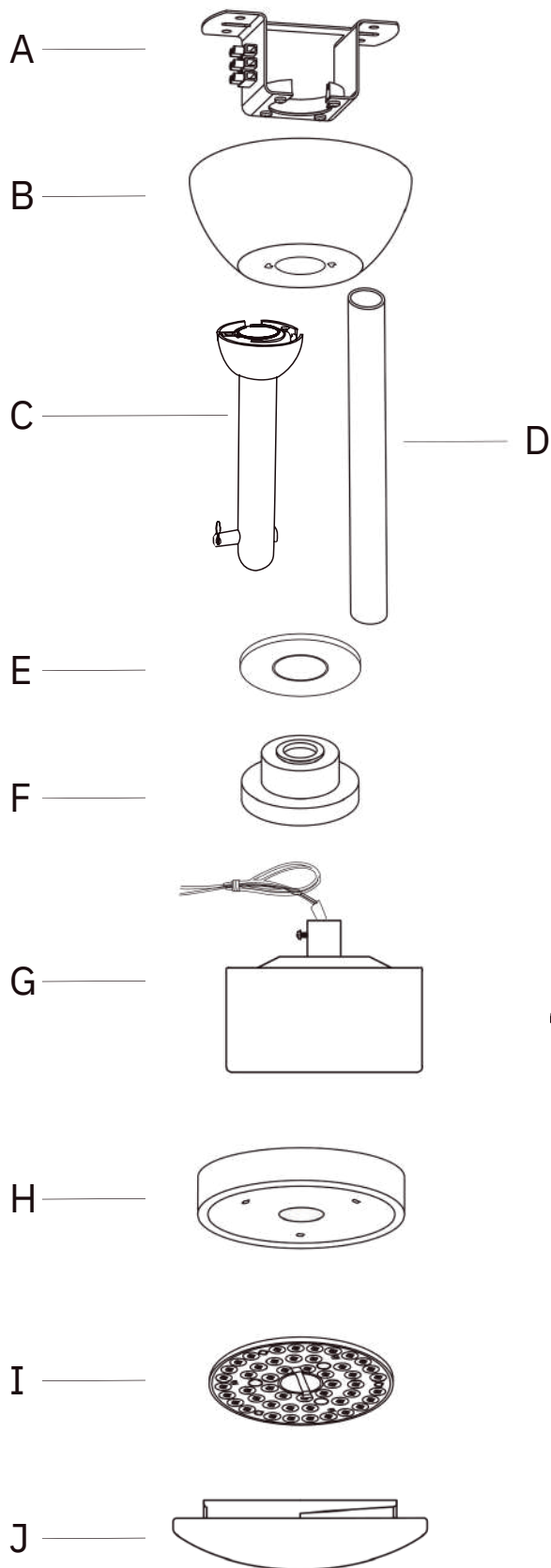



NOTE: Hardware not shown to actual size.

AA	Mounting screws	4
BB	Expansion Bolts	2
CC	Balanced parts package	1

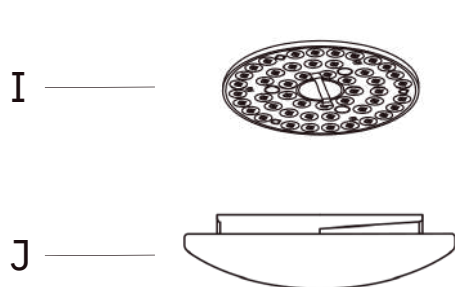
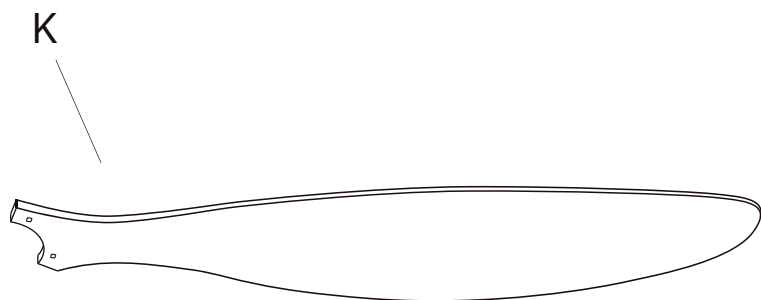
Pre-Installation

PACKAGE CONTENTS

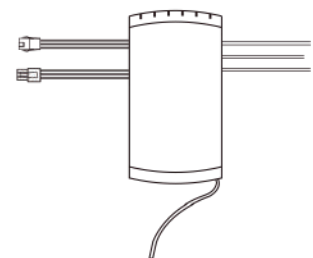


 NOTE: Hardware not shown to actual size.

A	Mounting Bracket	1
B	Canopy	1
C	12.5CM Ball/down rod assembly	1
D	25CM Ball/down rod assembly	1
E	Canopy Cover	1
F	Coupling Cover	1
G	Fan-motor assembly	1
H	Light kit fitter assembly	1
I	LED Light kit	1
J	Lamp Cover	1
K	Blade	3
L	Remote control(Transmitter)	1
M	Remote control(Receiver)	1



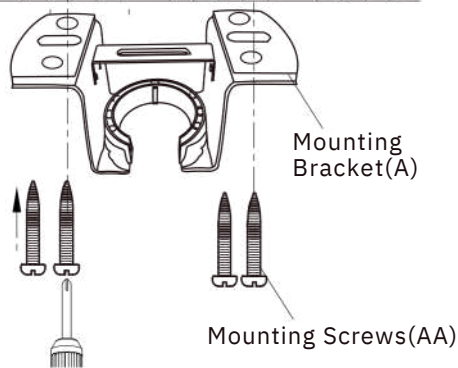
L



M

Installation of the hanging bracket (suspension part)

WOODEN CEILING



For wooden ceiling, use wood screw to drill on the wooden beam to fix the hanging bracket (selection is made according to actual requirements of the customers).

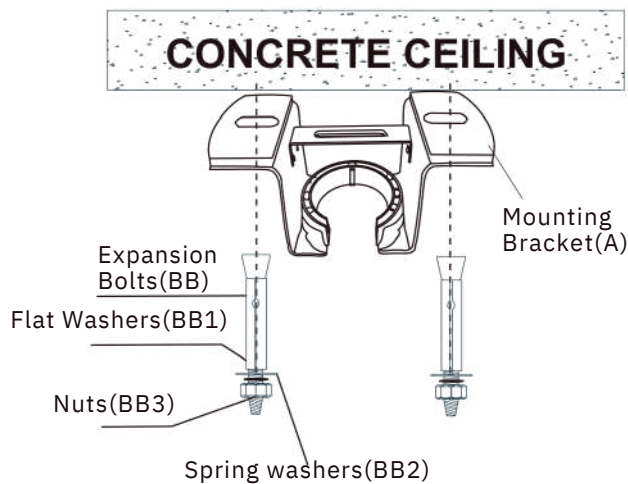
STEP 1A-WOODEN CEILING

SWITCH OFF THE ELECTRICAL MAINS AT THE CIRCUIT BREAKER FUSE BOX.

- 1) Use the Mounting Bracket (A) as a guide, mark the spots where the 4 Self Mounting Screws (AA) will be drilled.
- 2) Remove the Mounting Bracket (A), drill 4 holes for 3MM diameter, install the mounting bracket onto wooden ceiling with the 4 Self Mounting Screws (AA).

⚠ IMPORTANT :SCREWS MUST BE TIGHTENED TILL SNUG

CONCRETE CEILING



For concrete ceiling, use the percussion bit with diameter 8mm to drill holes according to the length of expansion screws. Then use the attached expansion screws to fix the hanging bracket onto the ceiling (selection is made according to actual requirements of the customers)

STEP 2A-CONCRETE CEILING

SWITCH OFF THE ELECTRICAL MAINS AT THE CIRCUIT BREAKER FUSE BOX.

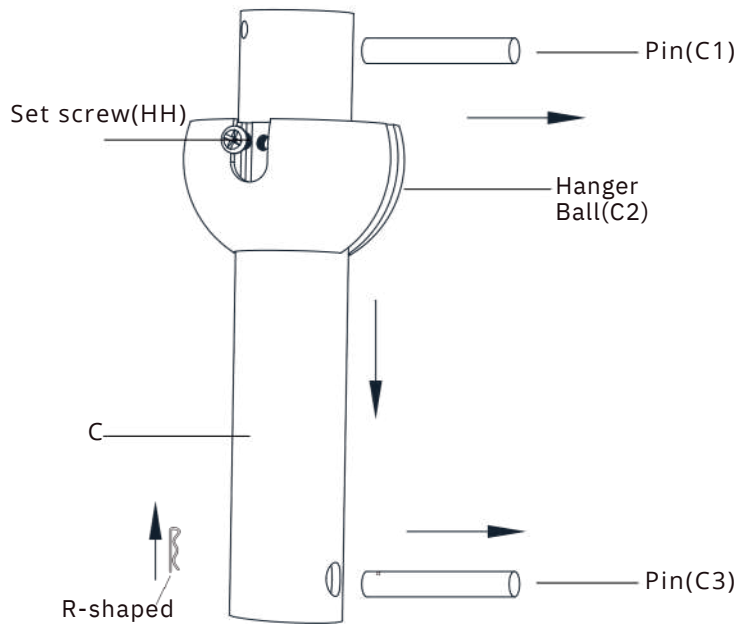
- 1) Use the Mounting Bracket (A) as a guide, mark the spots where the 2 Expansion Bolts(BB) will be drilled.
- 2) Remove the Mounting Bracket (A). Drill 2 holes for 8MM diameter and insert 2 Expansion Bolts (BB) into the concrete ceiling, install the mounting bracket and secure with Flat Washers(BB1), Spring Washers(BB2) and Nuts(BB3)

⚠ IMPORTANT :SCREWS MUST BE TIGHTENED TILL SNUG

Assembly-Standard Ceiling Mount

1. Remove the suspension ball

- Remove the Hanger Ball(C2) from the Down rod assembly(C) by loosening the set screw (HH) and removing R-shaped, the metal Pin (C1) and Pin (C3) as shown. Keep parts.



2. Assembling the fan

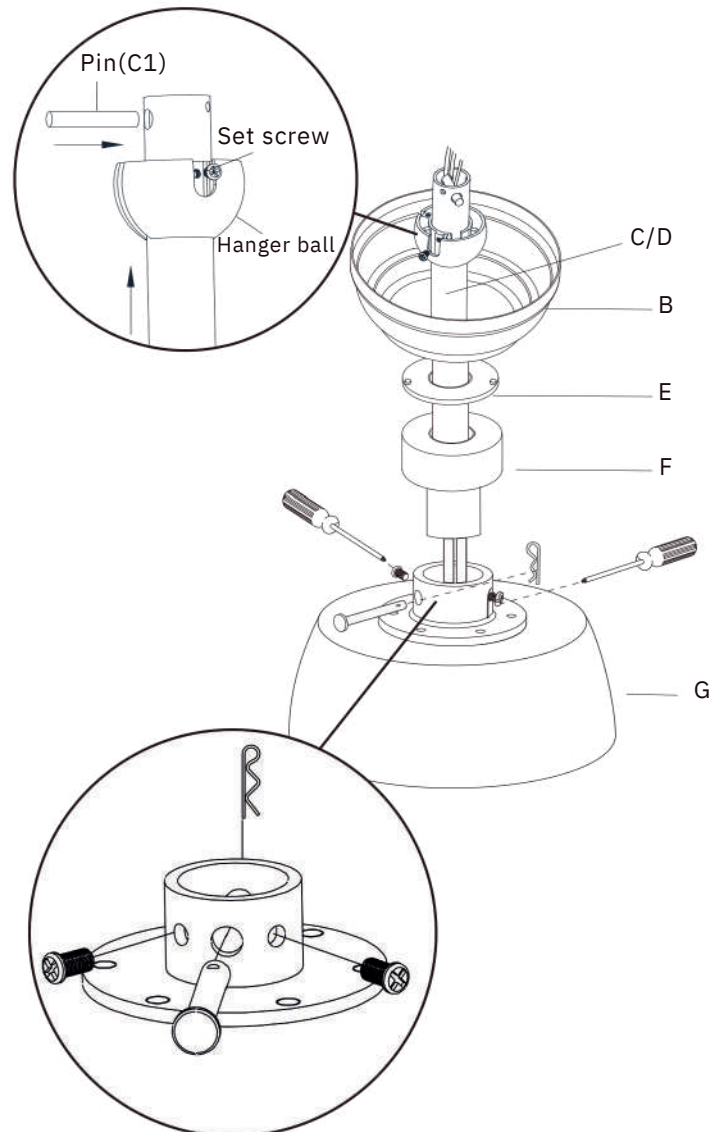


WARNING: make sure the pin installed well on hanger ball with down rod



NOTE: There are different lengths of Downrods, choose one according to your own needs.

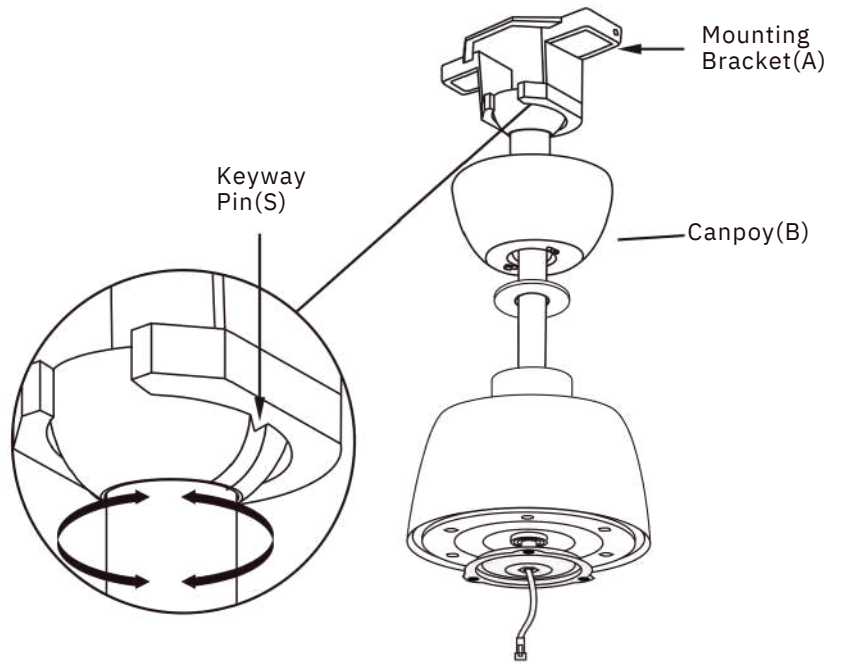
- Thread the top outlet wires of the fan motor assembly (G) through Coupling Cover(F), Down rod(C/D), Canopy cover(E), Canopy (B), and hanger ball in sequence.
- Insert the Down rod(C/D) through the Coupling Cover(F) into the motor coupling (PP), Insert pin(C3), Secure with R-shaped clips, Tighten the Set Screw.
- Secure the suspension ball with a pin (C1) and a set screw. Tighten the set screw to secure the Down rod assembly(C/D).



Assembly-Hanging the Fan

3. Hanging the fan

- .. Notice the half ball on the end of the Support Rod is grooved down one side. This key way fits over the small Keyway Pin(S) on the inside of the Mountina Bracket(A) and keeps the ceiling fan from spinning on the Mounting Bracket(A).
- .. Using your step ladder, lift the fan and place the half ball in the center of the Mounting Bracket(A) with the Keyway Pin(S) inserted into the keyway on the ball. Turn the fan left and right slightly to make sure it is seated on the bracket with the Keyway Pin(S) in the keyway.

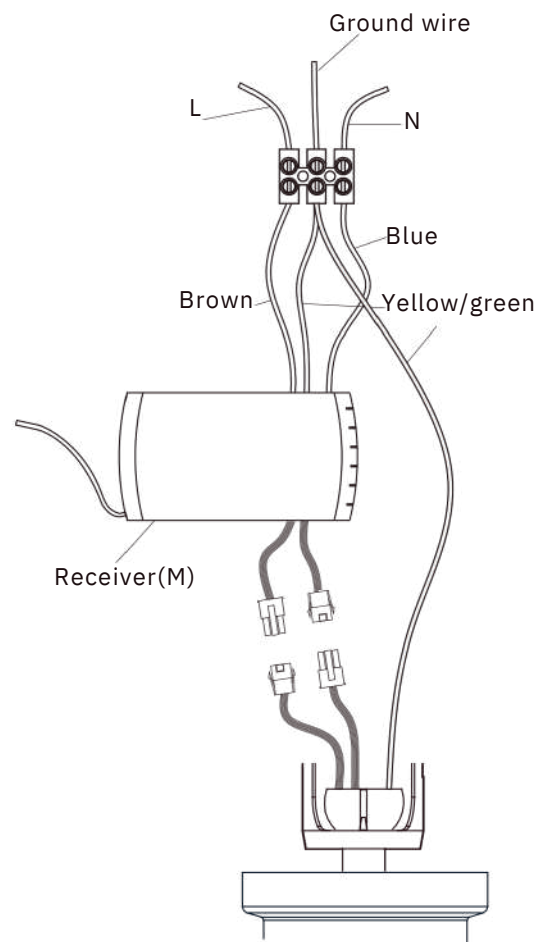


4. Wire connection




WARNING: To avoid possible electrical shock, turn the electricity off at the main fuse box before wiring. If you feel you do not have enough electrical wiring knowledge or experience, contact a licensed electrician.

- .. Connect the wires on the Receiver(M) to the wires on the fan using a wire.
- .. Use wiring terminals to connect the yellow/green wires of the Receiver (M) and fan to the home ground wire (which may be green or bare wire).
- .. Use wiring terminals to connect the brown wire of the Receiver(M) to the household live wire.
- .. Use wiring terminals to connect the blue wire of the Receiver(M) to the household zero wire.

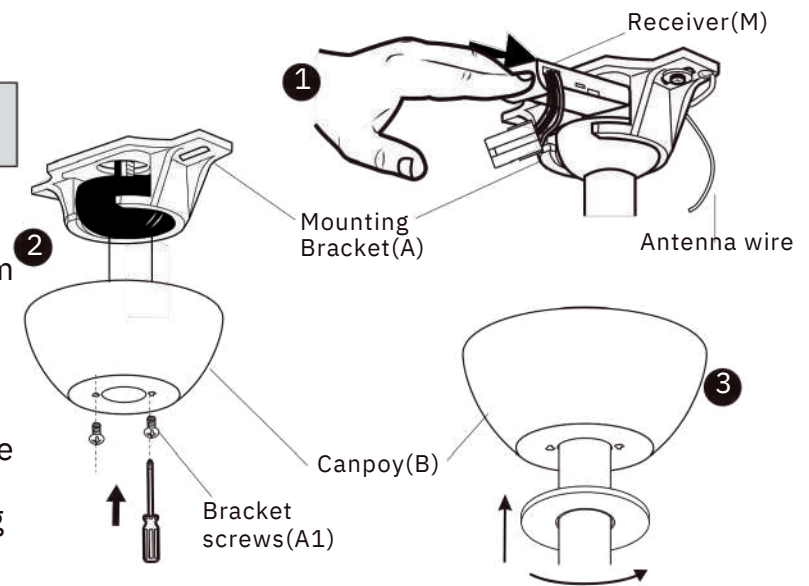


Assembly-Hanging the Fan(continued)


5. Install remote control


 NOTE: The antenna should be outside the bracket to ensure good remote control signal.

- .. Place the Receiver(M) on the Mounting Bracket(A)
- .. Carefully push the Canopy(B) to the bottom of the Mounting Bracket(A), make two sliding holes aligned to the two prominent screws on the Mounting Bracket(A), and then turn clockwise until tight.
- .. Push the canopy cover to the bottom of the Canopy(B), slide the inner holes aligned to the two prominent screws on the Mounting Bracket(A) again, and turn the canopy ring clockwise until tight.

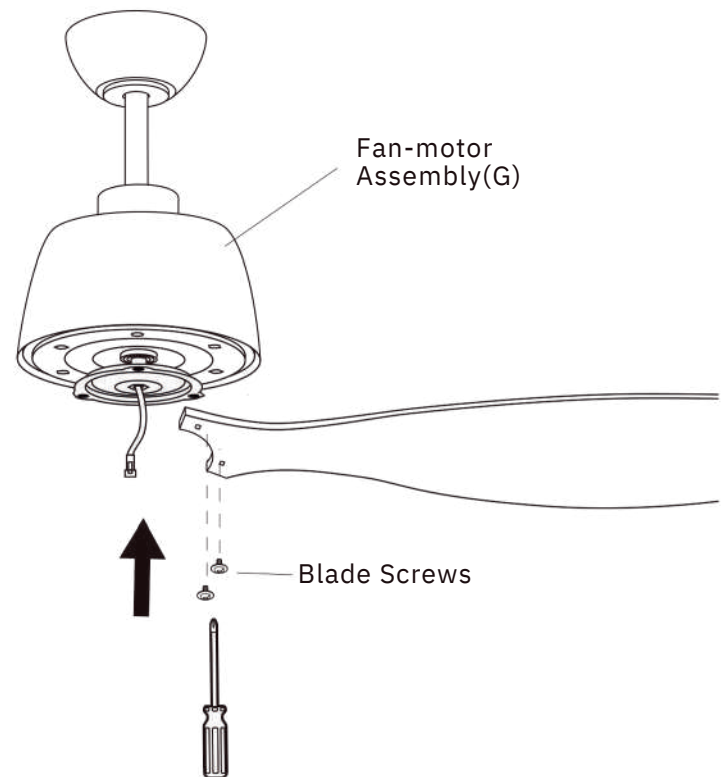


6. Fastening the blade to the motor

 NOTE: Your fan features revolutionary advancements for quick and easy blade installation. Including an alignment post and captive blade arm screws.

 NOTE: Your fan blades are reversible. Select the blade side finish which best accentuates your decor.

- .. Remove the fan blade screws from the fan motor.
- .. Install the fan blades using the removed screws.
- .. Repeat this step for the remaining blade assemblies

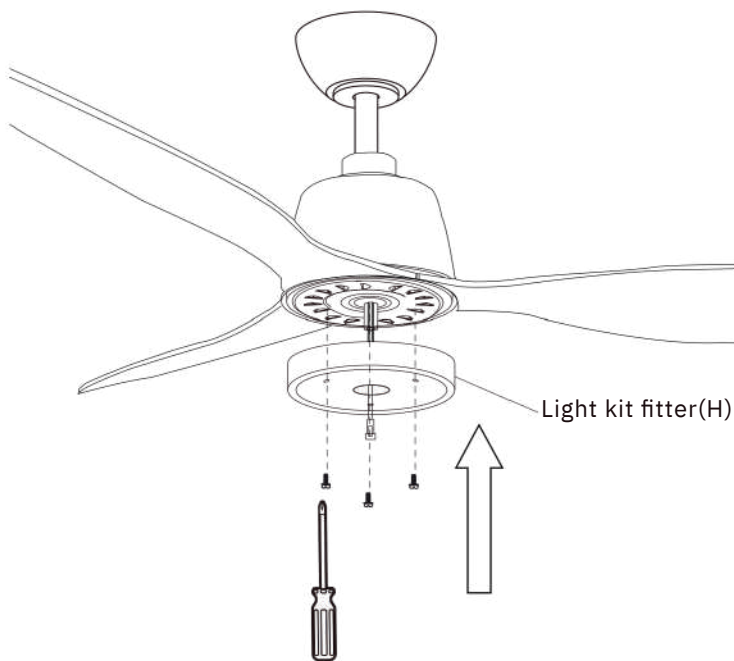


Assembly-Hanging the Fan(continued)

7. Install the lamp fitter

CAUTION : To reduce the risk of electric shock, disconnect the electrical circuit to the fan before installing the light fixture

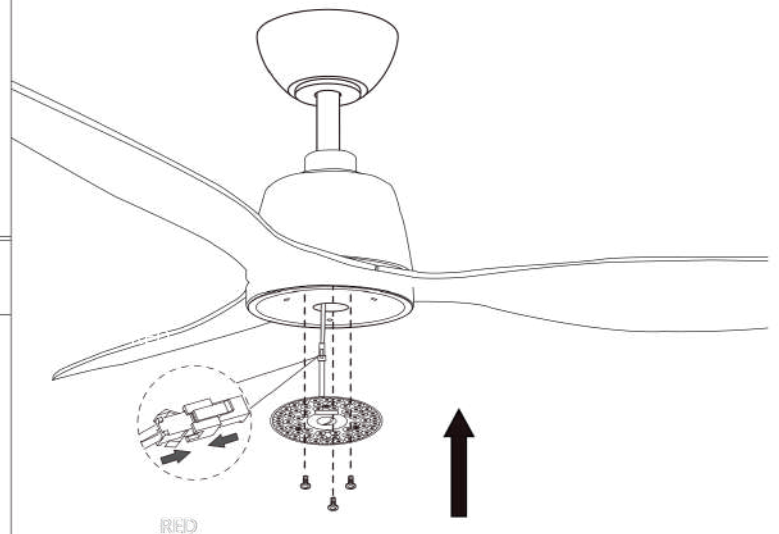
- .. Remove 3 screws from the plate which on the motor.
- .. Use these 3 screws assemble the Light kit fitter(H).



8. Connecting lamp wire

CAUTION : To reduce the risk of electric shock, disconnect the electrical circuit to the fan before installing the light fixture

- .. Install the light source by unfastening the 3 screws under the lamp tray.
- .. Connect cables to the fan and light source
- .. Lock the light source under the lamp plate with the 3 screws removed in the first step



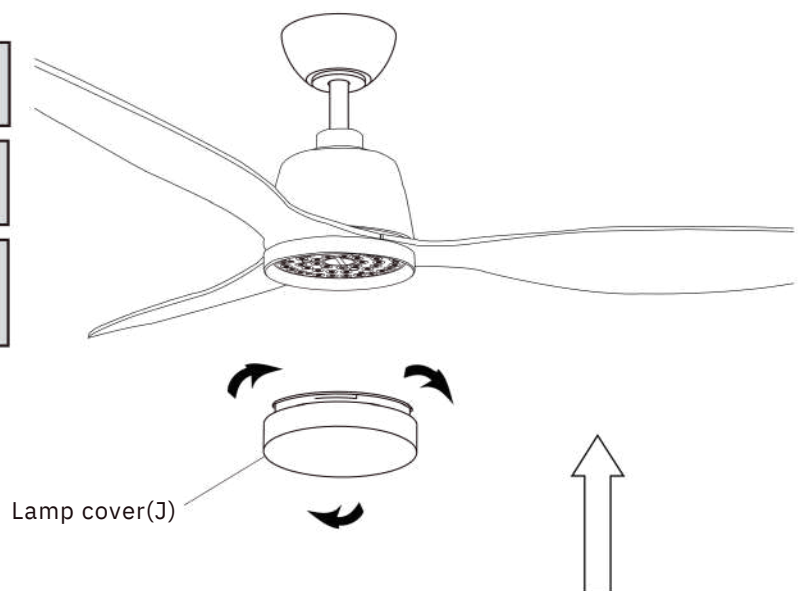
9. Install the lamp cover

WARNING: Allow the Lamp cover to cool completely before removing.

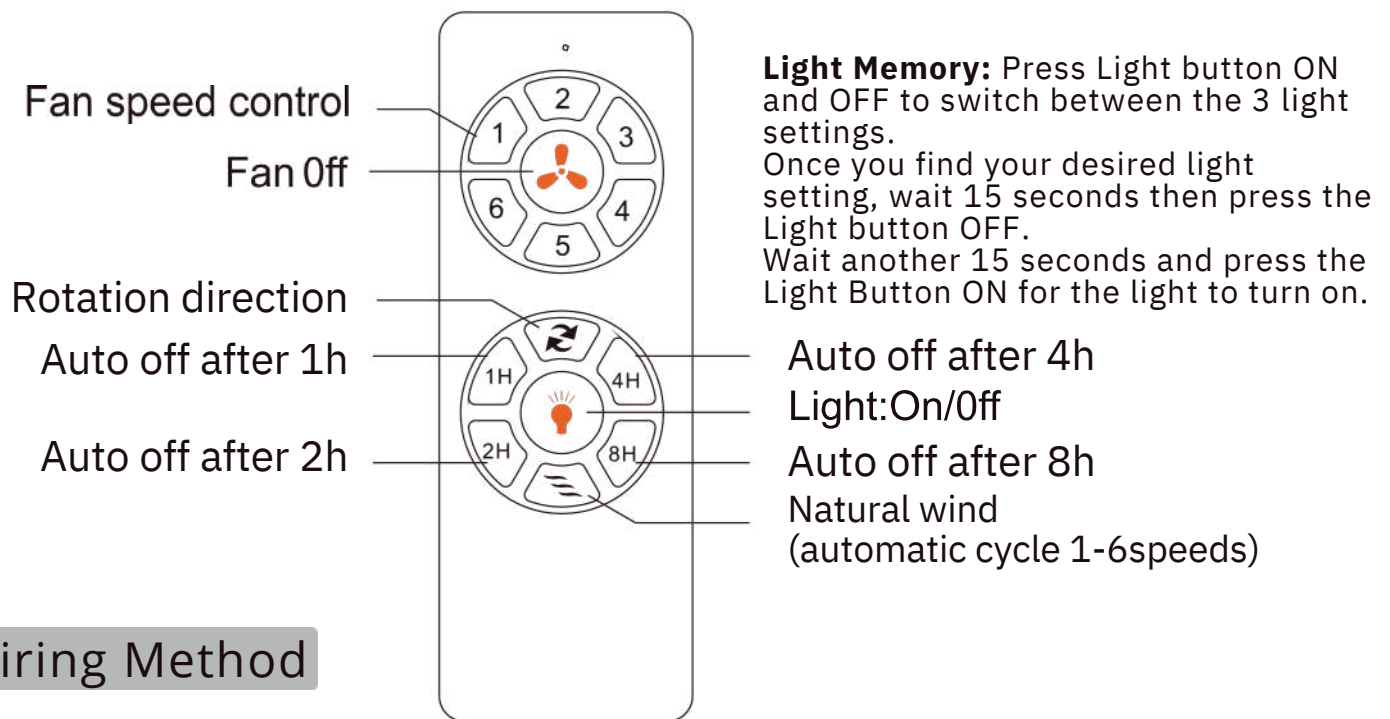
CAUTION : Make sure the power is off before attaching or removing the Lamp cover.

CAUTION : Do not over tighten the hex nut, over tightening the hex nut may cause Lamp cover to break.

- .. Install the Lamp cover(J) as shown



Use of remote control



Pairing Method

You will hear a sound of 'beep', when the fan switch on.

- The remote pairing:** please press the key immediately till you hear the long 'beep' sound.
- The App pairing:** please press the key immediately till you hear the long 'beep' sound, then enter the Wifi_Pair status(Intellectual product).
- Memory Function:** After a power outage or a tripped circuit breaker, the fan will default to Light OFF and Fan ON. The fan will run at the speed that was last saved in memory.
- Multiple Pairing:** You can pair up to 10 fans to 1 remote, follow the instructions in point 1 to pair each fan to the remote.
- Repairing:** The remote and the fan can be repaired. Power the fan on, long press (5 seconds) the 1H and 4H buttons at the same time. When you hear a beep, it means you have successfully repaired your fan and remote.

Operation

OPERATING YOUR FAN

Turn on the power and check the operation of the fan. The remote controls the fan speed and light.

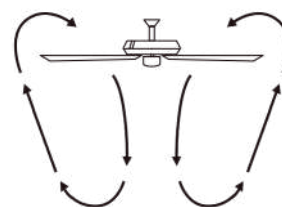
The appropriate speed settings for warm or cool weather depends on factors such as the room size, ceiling height, and number of fans.



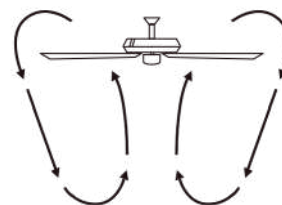
NOTE: Wait for the fan to stop before reversing the direction of the blade rotation

A. Warm weather-(Forward) A downward airflow creates a cooling effect. This allows you to set your air conditioner on a higher setting without affecting your comfort.

B. Cool weather-(Reverse) An upward airflow moves warm air off of the ceiling. This allows you to set your heating unit on a lowering setting without affecting your comfort.



A. Warm Weather (summertime)

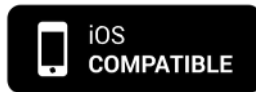


B. Cool Weather (wintertime)

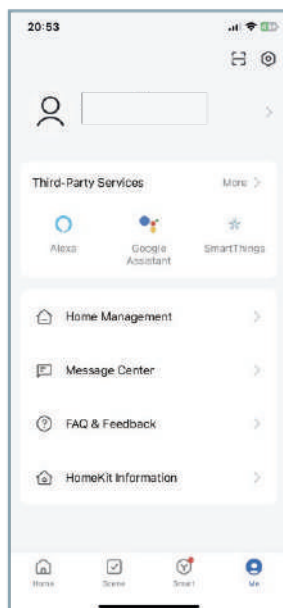
Link with Tuya Smart Life APP

Once connected to the mains and prior to selecting synchronisation mode, check that the fan works by using the remote control.

1. Download and install the Tuya Smart Fan App.



2. Create your family and the rooms in your house.



Link with Tuya Smart Fan APP(continued)

For BT sync

Turn on the Bluetooth, the location and the WiFi of the mobile device with which you are going to make the link.

Enter your home's Wi-Fi 2.4Ghz network (5Ghz networks not supported) a progress indicator with a percentage will be shown, when it reaches 100% the device will have been successfully added.

Turn on the equipment and in the first 5 seconds that it is turned on, press and hold the "FAN OFF" button on the remote for 5 seconds.

Clicking on the "+" symbol in the upper right part of the main page of the app (img. 1, img. 2).

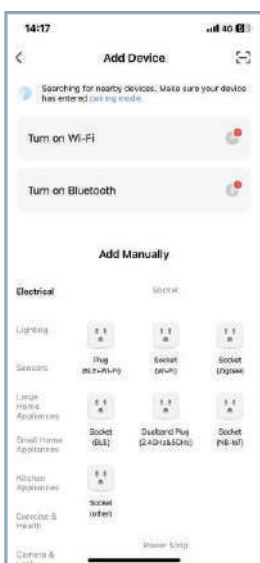
Then, at the top of the page "Add device" the message "Discovering-devices" will appear. If the device you want to link appears, press the "Add" button.

If more than one device is detected, click on the "+" button next to the devices you want to add. Once the process is finished, a "✓" will appear next to the device name.

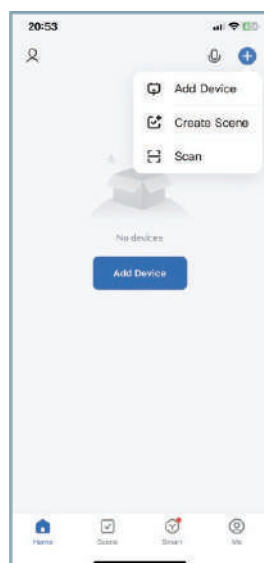
Click on the "Next" button at the bottom to finish the link.

When finished, you will see a window in which it says "Successfully added" over the icon and the name of the added device. Press "Done" at the bottom to return to the main screen (img. 3, img. 4, img 5).

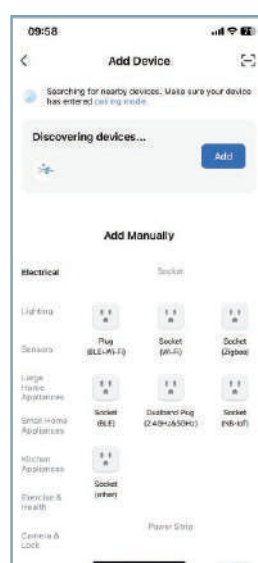
img. 1



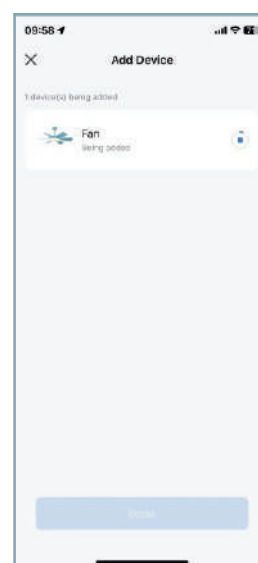
img. 2



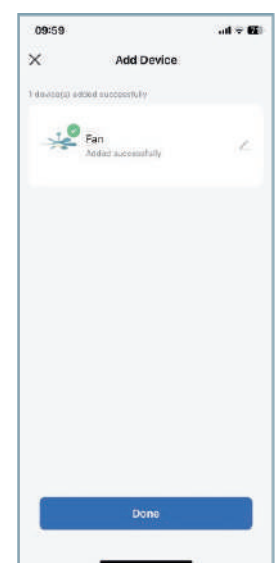
img. 3



img. 4



img. 5



Link with Tuya Smart Life APP(continued)

For EZ Sync

Turn on the Bluetooth, the location and the WiFi of the mobile device with which you are going to make the link.

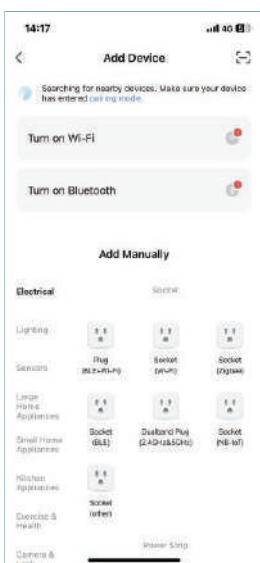
Enter your home's Wi-Fi 2.4Ghz network (5Ghz networks not supported) a progress indicator with a percentage will be shown, when it reaches 100% the device will have been successfully added.

Turn on the equipment and in the first 5 seconds that it is turned on, press and hold the "FAN OFF" button on the remote for 5 seconds.

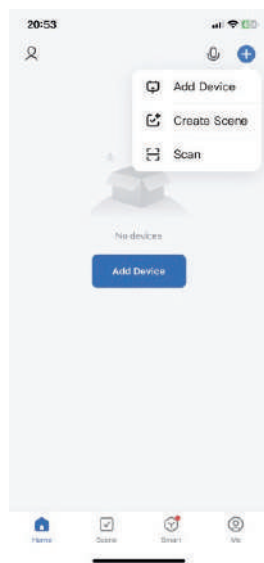
Select the "Small HomeAppliances" option in the right menu of "ADD Manually", select the "Fan(BLE+WiFi)" fan icon in the options, and then follow the prompts (Img. 6,Img. 7)

When finished, you will see a window in which it says "Successfully added" over the icon and the name of the added device. Press "Done" at the bottom to return to the main screen (img.8 , img.9 , img.10).

img. 6



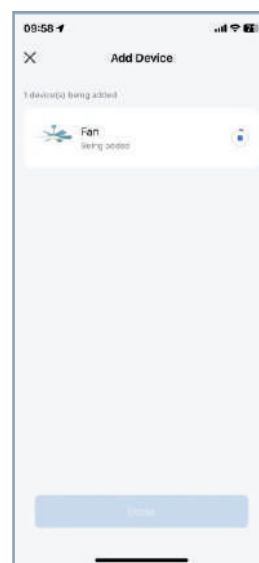
img. 7



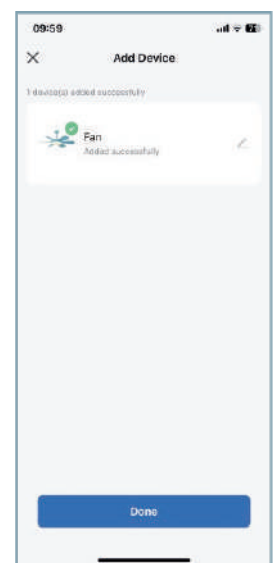
img. 8



img. 9



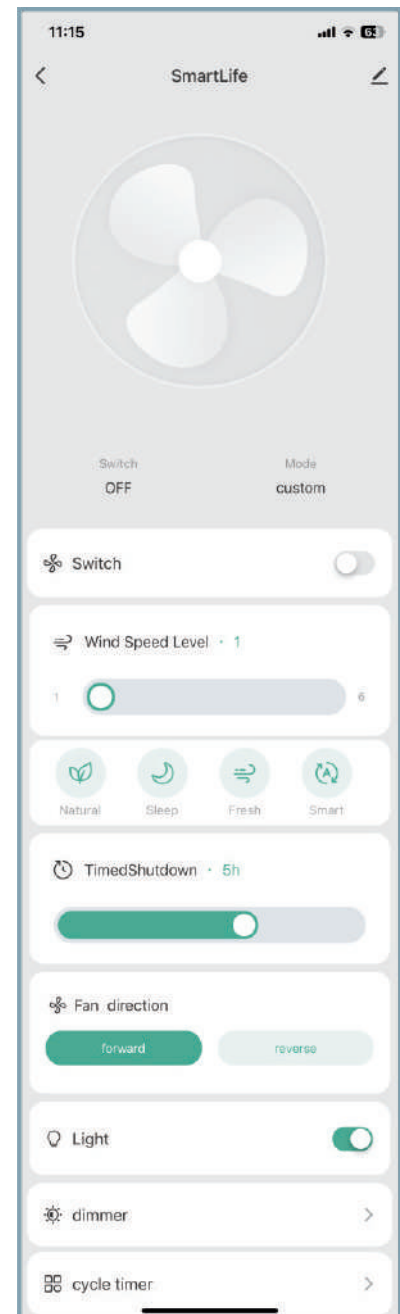
img. 10



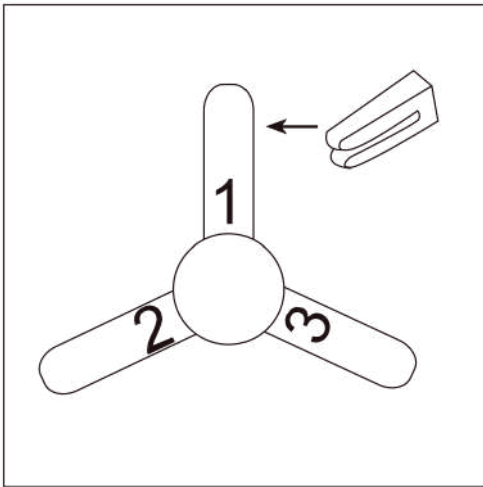
Use of Tuya Smart Life APP

From the Smart Life application, you can access the different controls your fan has available:

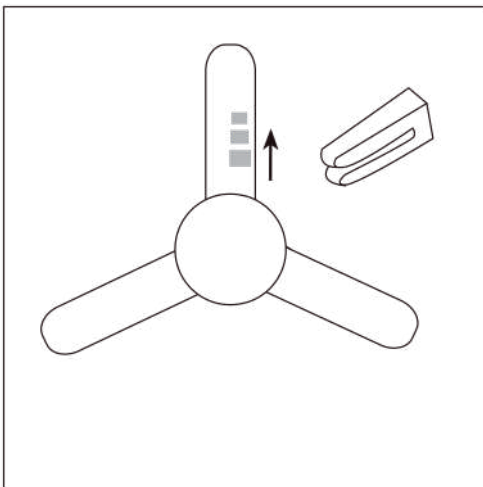
1. **Switch:** Turn the fan on or off.
2. **Speed:** Slide the horizontal control to change the fan speed.
3. **Modes:**
 - Custom** - Adjust the speed with the horizontal slider.
 - Sleep** - Keep noise to a minimum so it doesn't bother you while you sleep.
 - Natural** - the fan will change power to give you a feeling of natural breeze.
 - Fresh** - The fan will run at speed less than 1.
4. **Timer:** Schedule fan switch off.
5. **Fan direction:**
 - Forward** - Generates a downdraft to cool you down.
 - Reverse** - it draws in cold air from the ground so that the heat from the ceiling lowers.
6. **Light:** Turn your fan light on or off.
7. **Dimmer:** This command is invalid and the product does not support it.
8. **Cycle Timer:** Automatically turn on or off fans and lights at preset times.



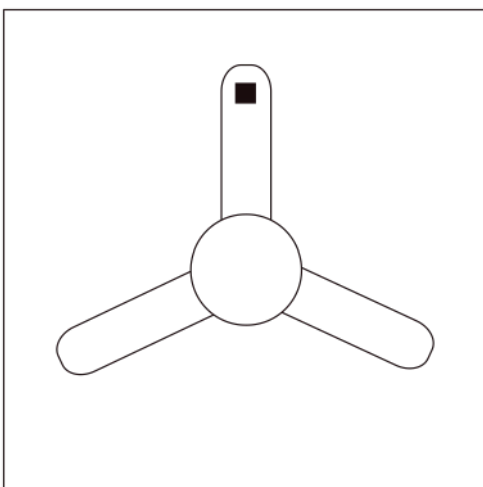
Fans Balance



Put the clip in the center of a blade, turn on the fan, and if the rolling persists, put the clip in another blade until the rolls is reduced. The blades of a ceiling fan need to be weight balanced.



Place the clip on the blade where you need to balance the weight, and try to position it in the best position, from the center of the blade to the tip, until the wobble disappears.



Glue the counterweight to the blade surface at the height of the clip. Remove the clip and test the fan. If the fan still staggering, place another counterweight. If it gets worse, try another better area to place the counterweight.

Care and Cleaning



WARNING: Make sure the power is off before cleaning your fan.

- Because of the fan's natural movement, some connections may become loose. Check the support connections, brackets, and blade attachments twice a year. Make sure they are secure. It is not necessary to remove the fan from the ceiling.
- Clean your fan periodically to help maintain its new appearance over the years. Do not use water when cleaning, as this could damage the motor or the wood, or possibly cause an electrical shock. Use only a soft brush or lint-free cloth to avoid scratching the finish. The plating is sealed with a lacquer to minimize discoloration or tarnishing.
- You can apply a light coat of furniture polish to the wood for additional protection and enhanced beauty. Cover small scratches with a light application of shoe polish.
- You do not need to oil your fan. The motor has permanently-lubricated sealed ball bearings.

Troubleshooting

Problem	Solution
The fan will not start.	<ul style="list-style-type: none"> <input type="checkbox"/> Check the main and branch circuit fuses or breakers. <input type="checkbox"/> Check the line wire connections to the fan and switch wire connections in the switch housing.
The fan has noise	<ul style="list-style-type: none"> <input type="checkbox"/> Ensure all motor housing screws are snug. <input type="checkbox"/> Ensure the screws that attach the fan blade bracket to the motor hub are tight. <input type="checkbox"/> Ensure the wire nut connections are not rattling against each other or the interior wall of the switch housing. <input type="checkbox"/> Allow a 24-hour "breaking in" period. Most noises associated with a new fan disappear during this time. <input type="checkbox"/> If you are using the Ceiling Fan light kit, ensure the screws securing the glassware are tight. Check that the light bulbs are also secure. <input type="checkbox"/> Ensure the canopy is a short distance from the ceiling. It should not touch the ceiling. <input type="checkbox"/> Ensure your outlet box is secure and rubber isolator pads were used between the mounting plate and outlet box.
The fan wobbles.	<ul style="list-style-type: none"> <input type="checkbox"/> Check that all blade and blade arm screws are secure. <input type="checkbox"/> Most fan wobble problems are caused when blade levels are unequal. Check this level by selecting a point on the ceiling above the tip of one of the blades. Measure from a point on the center of each blade to the point on the ceiling. Measure this distance. Rotate the fan until the next blade is positioned for measurement. Repeat for each blade. Any measurement deviation should be within 1/8 in. Run the fan for ten minutes. If the fan continues to wobble please refer the page 15